

## Sensors for Conductivity Measurement

Chem



### SE 600 Conductivity Sensor

**4-electrode sensor for high-pressure and high-temperature applications; large measuring range from pure water up to high conductivities**

For special chemistry applications up to 210 °C and 25 bar. Universal measuring range from pure water to 600 mS/cm. With fixed cable and integrated temperature detector.

Process-wetted materials: stainless steel and PTFE; very compact design.

#### Applications

Special chemical processes; condenser monitoring, also for heavily polluted, e.g. fibrous media, pulp production.

#### Facts

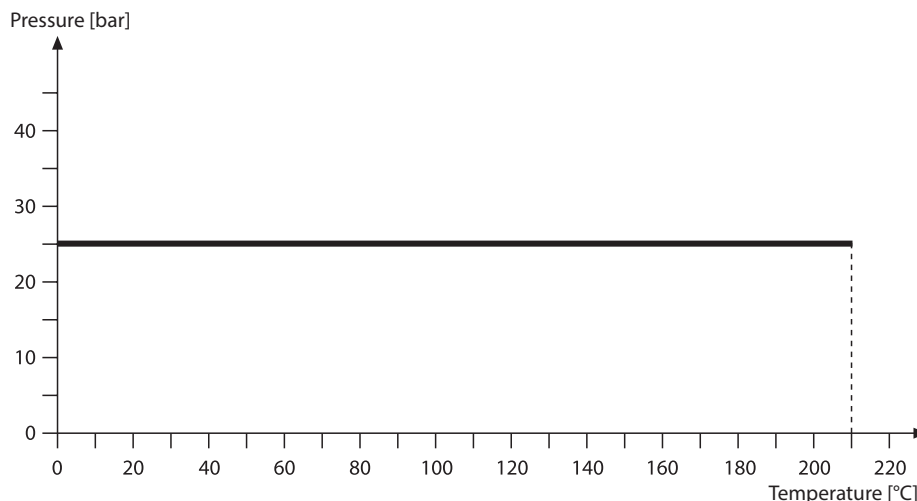
- Large measuring range due to 4-electrode technology
- Measurement at high temperatures and pressures
- High level of process safety due to durable materials and robust design
- Slim, ultracompact design (25 mm diameter)

#### Specifications

Cell constant <sup>*)</sup> :	0.14 cm ... 0.38 cm (exact value printed on rating plate)
Measuring range:	approx. 0.5 µS/cm ... 600 mS/cm
Material:	Body: PTFE / stainless steel AISI 316 L Electrodes: stainless steel AISI 316 L
Temperature detector:	Pt 1000 (IEC Class A)
Temperature:	max. 210 °C
Pressure:	max. 25 bar
Process connection:	1" weld nipple (see Accessories)
Cable:	Fixed cable, 5 m

\*) Observe instructions for use (field conditions)

#### Pressure/Temperature Diagram



**Product Range**

SE 600 conductivity sensor

G 1"

Order No.

**SE 600**

**Accessories**

Screw for ZU 0217

Weld nipple for ZU 0216

Gasket (spare part)

Coupling nut

Conductivity standard      KCl   0.1 mol/l   12.88 mS/cm   ± 1.5 %   250 ml

Calibration Certificate

Order No.

**ZU 0216**

**ZU 0217**

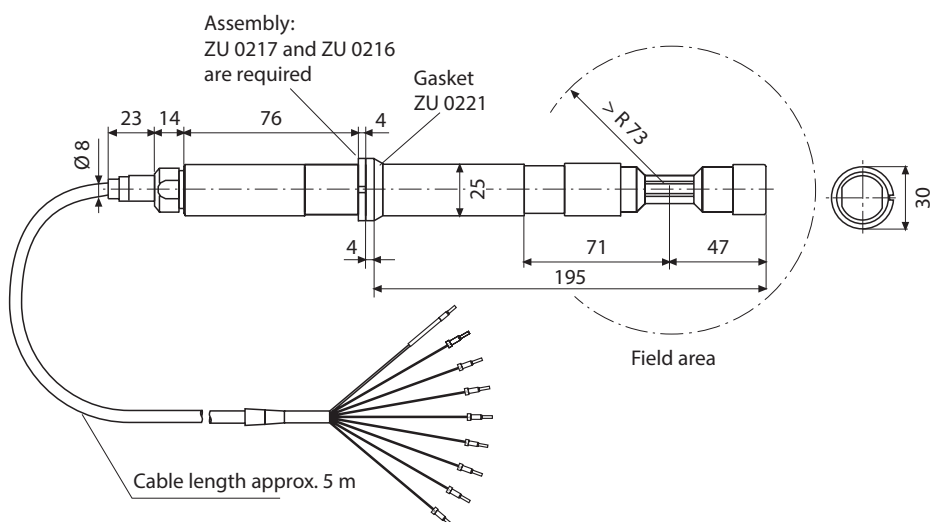
**ZU 0221**

**ZU 0222**

**ZU 0348**

**ZU 0320**

**Dimension Drawing**



All dimensions in mm

## Sensors for Conductivity Measurement

Chem

### SE 600 Conductivity Sensor

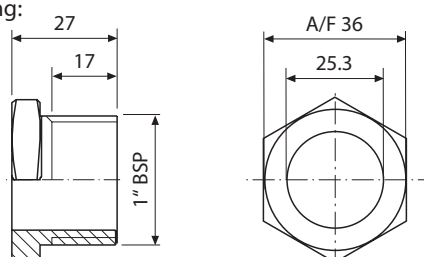
#### Accessories / Specifications

ZU 0216 screw



Material: 316 L  
 Process connection: 1" BSP for ZU 0217  
 Temperature: Max. 210 °C  
 Pressure: Max. 40 bar

Dimension drawing:

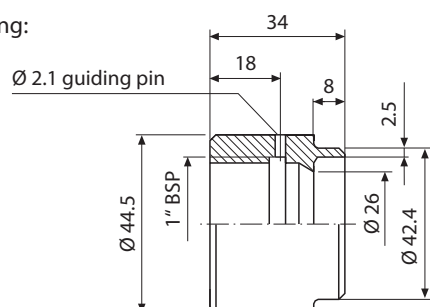


ZU 0217 weld nipple

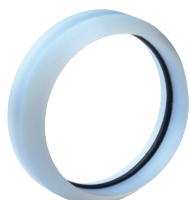


Material: AISI 316 L  
 Process connection: Weld nipple  
 Temperature: Max. 210 °C  
 Pressure: Max. 40 bar

Dimension drawing:

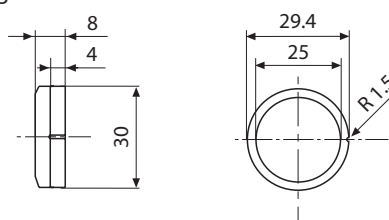


ZU 0221 gasket (spare part)



Material: PTFE

Dimension drawing:



All dimensions in mm

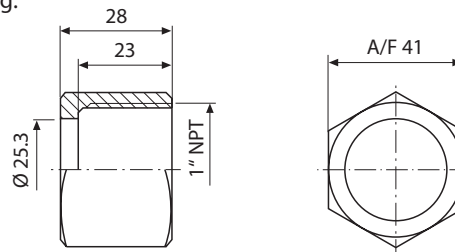
**Accessories / Specifications (continued)**

Coupling nut for mounting on threaded coupling, ZU 0222

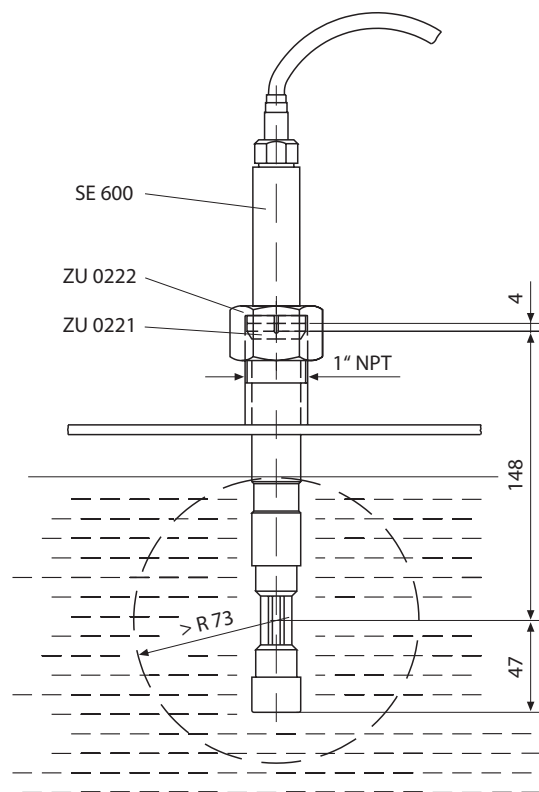
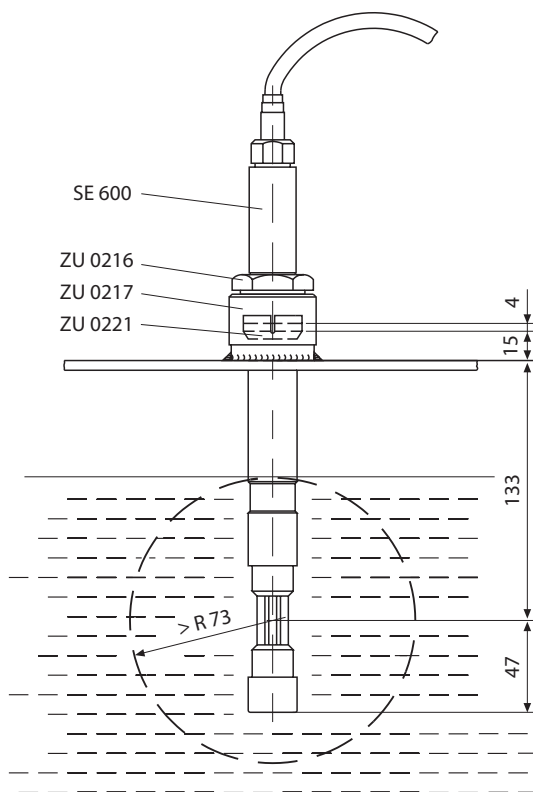
Material: AISI 316 L  
 Dimensions: 1" NPT  
 Temperature: Max. 210 °C  
 Pressure: Max. 40 bar



Dimension drawing:



**Typical Assemblies**



All dimensions in mm