

**NEW**

## The TDH40 Series Better Accuracy, Low Cost OEM Pressure Transducer



SERIES: TDH40



### APPLICATIONS

- Hydraulic / Mobile Hydraulic
- Pneumatic Systems
- Food and Beverage Industry
- Refrigeration Systems
- Pumps and Compressors
- Energy and water management
- Construction and Agricultural Equipment

### DESCRIPTION

The TDH40 Series Pressure Transducer utilizes piezoresistance technology in an all stainless steel body. It is compact in size, has long term stability, ease of installation and is very economical as well as reliable.

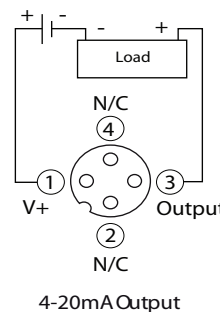
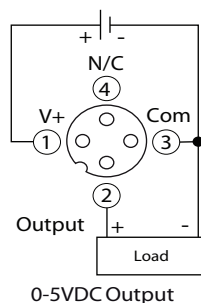
The TDH40 sets a new price-performance standard for low cost, high volume commercial and industrial applications.

### FEATURES

- 3 to 10,000 psi Range
- Various Outputs
- Compact Design
- 316 Stainless steel Housing
- Low Cost
- Better 0.4% Accuracy
- Custom Outputs and Ranges Available
- OEM Tested and Approved
- Low power consumption

### ELECTRICAL CONNECTIONS

Signal	Function	Color	Pin	M12
0-5V	Supply V +	Brown	1	
	Output +	White	2	
	Com	Blue	3	
4-20mA	Supply V +	Brown	1	
	Output	Blue	3	



## SPECIFICATIONS

### Input

Supply Voltage	12-36 VDC
Pressure Range	3 to 10,000 psi
Proof Pressure	1.5 x full scale
Burst Pressure	3 x full scale
Fatigue Life	More than 4 million cycles

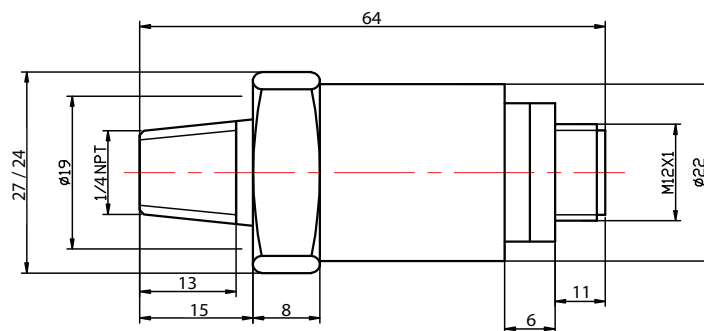
### Performance

Accuracy	0.4% full scale, BFSL
Stability	0.2% full scale
Compensated Temperatures	-10 to 75 °C (14 to 167 °F)
Operating Temperatures	-20 to 80 °C (-4 to 176 °F)
Zero and Span Offset Tolerance	1.5%
Current Consumption	Approx 3mA for voltage output, 22mA for current output (4-20mA)

### Mechanical Configuration

Pressure Port	1/4 NPT (standard) *
Electrical Connection	M12 (standard), 9.4 mini DIN *
Ingress Rating	IP67 when used with T-Direct TDM12 cable
Housing	316 stainless steel
Diaphragm Material	0-75psi = 316 SS, 100-1500psi = ceramic, 2000-10,000 = 17-4 SS 316SS is available instead of ceramic upon request
Sealing Material	Neoprene
Approvals	CE
Shock	50g, 11ms, 1/2 sine
Vibration	11g peak From 10 to 400Hz

### Dimensions



Dimensions are in mm and for reference only

For best performance use shielded cables

Mating cable assemblies sold separately

\*= Consult factory for further OEM options

## ORDERING

Series	Output	Pressure Type	Pressure Range	Pressure Port	Electrical Connection	Accuracy
TDH40	B	G	0500 psi	03	Q00	5
	B= 4-20mA C= 0-5V (3 wire) **	G = Gauge	0015 0500 0025 1000 0050 3000 0100 5000 0250 **	03= 1/4" NPT Male **	Q00= M12 D00= 9.4 mini DIN **	5= 0.4%

\*\*= Consult factory for further OEM options

Pressure ranges and outputs listed above are quick ship versions