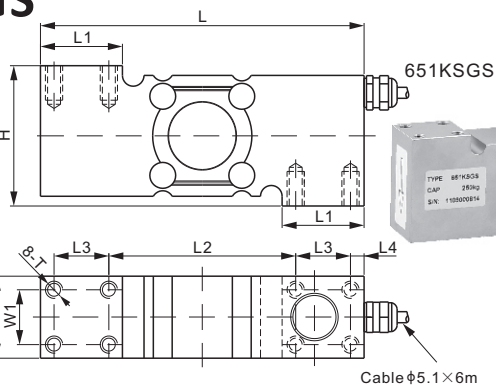
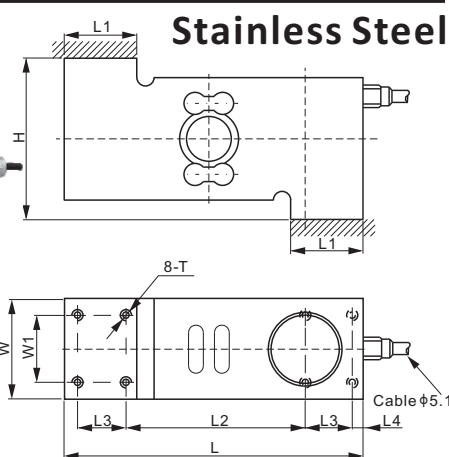


651KS22; 651KSGS

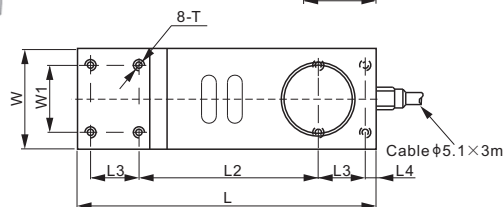
651KS22



651KSGS



Cable $\phi 5.1 \times 6m$



DIMENSIONS

RATED CAPACITY	H	L	L1	L2	L3	L4	W	W1	T
651KS22: kg/mm 50-500	65.0	150.0	38.0	86.6	25.4	6.3	38.0	25.4	M8 Depth16
lb/inches (conversion of above dimensions) 110.2-1102.3	2.56	5.91	1.50	3.41	1.00	0.25	1.50	1.00	M8 Depth0.63
651KSGS: kg/mm 100-250	73.0	150.0	38.1	86.5	25.4	6.4	38.0	25.4	M8 Depth12
lb/inches (conversion of above dimensions) 220.5-551.2	2.87	5.91	1.50	3.41	1.00	0.25	1.50	1.00	M8 Depth0.47

SPECIFICATIONS

Full Scale Output	2.0 mV/V $\pm 10\%$	Recommended Excitation	10V (15V Maximum)
Zero Balance	± 0.02 mV/V	Reference Max. Platform Size	600 \times 600 mm
Non-linearity	651KS22: $< \pm 0.03\%$; 651KSGS: $< \pm 0.05\%$	Insulation Resistance	> 2 [50V DC] G Ω
Repeatability	$< \pm 0.02\%$	Compensated Temperature Range	-10 $^{\circ}$ C to 50 $^{\circ}$ C / 14 $^{\circ}$ F to 122 $^{\circ}$ F
Hysteresis Error	651KS22: $< \pm 0.03\%$; 651KSGS: $< \pm 0.05\%$	Safe Overload	150% of full scale
Creep in 30 min.	$< \pm 0.03\%$	Breaking Overload	300% of full scale
Input Resistance	385 $\Omega \pm 15$	Seal Type / IP Rating	651KS22: Welded Seal / IP68/IP69K 651KSGS: Environmentally Sealed / IP66
Output Resistance	350 $\Omega \pm 3$	Cable Color Code	Exc+ Red Exc- Black Sig+ Green Sig- White Shield Bare
Element Material	17-4PH Stainless Steel		

PART NUMBER

Rated Capacity	Part No.	Shipping Weight (kg) Approx.
50kg.....	651KS22-50kg	2.3
100kg.....	651KS22-100kg	2.3
	651KSGS-100kg	2.5
250kg.....	651KS22-250kg	2.3
	651KSGS-250kg	2.5
500kg.....	651KS22-500kg.....	2.3

651KS22-50kg: NTEP 1:10 000 Class III, Single Cell;
651KS22-100kg, 250kg & 500kg: NTEP 1:5 000 Class III, Single Cell;

651KS22-50kg & 100kg: OIML MAA C9, Y=18 000;
651KS22-250kg & 500kg: OIML MAA C4, Y=26 000

INTERCHANGEABLE PRODUCTS

651KS22 Manufacturer	Model
Flintec.....	PC7*
Mettler-Toledo.....	SSH
Vishay Tedeia-Huntleigh.....	1510*

* H of Flintec PC7 & Tedeia 1510 are of 73mm.

SINGLE POINTS