

DATASHEET

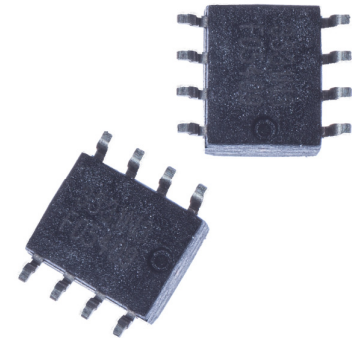
SPD100ABsmd8 Pressure Sensor

October 5, 2016

reference
spd100absmd8 npage
1/1

GAS PRESSURE SENSOR FOR ABSOLUTE TYPE MEASUREMENT IN S08

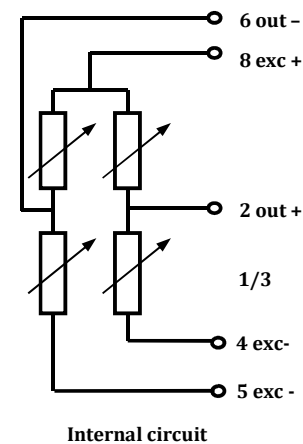
The SPD100ABsmd8 series SPD Absolute Pressure sensors are designed for gas pressure sensitive applications and are encapsulated in a miniature Smd8-pins package. This sensor provides a low-cost solution for high volume applications. Due to automatic production price is very low and nearby the price of a bare die without the need for the customer to handle dies by bonding, etc. Other pressure ranges on request available.



Electrical Characteristics

(measured @5V exc. voltage and 25 °C, with nitrogen)

Parameter	Min	Typ	Max	Units
Excitation Voltage		5		V
Excitation Current	-	1		mA
Pressure range(N ₂)	0		100	psi
Span (@100 PSI)	70	100	130	mV
Offset	-30		30	mV
Temp Coeff. Span 1)	-17,5	-19,5	-21,5	%FS/100 °C
Temp Coeff. Offset 1)	-7		7	%FS/100 °C
Linearity 2)		±0,1		%FS
Bridge impedance	4	5	6	KΩ
Operating temperature	-40		125	°C
Storage temperature	-50		135	°C
Over pressure			3x	FS



- 1) Temperature coefficient measured between 0 to 50 °C
2) Measured Best Fit Straight Line

