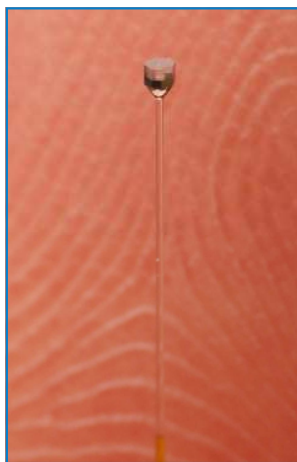
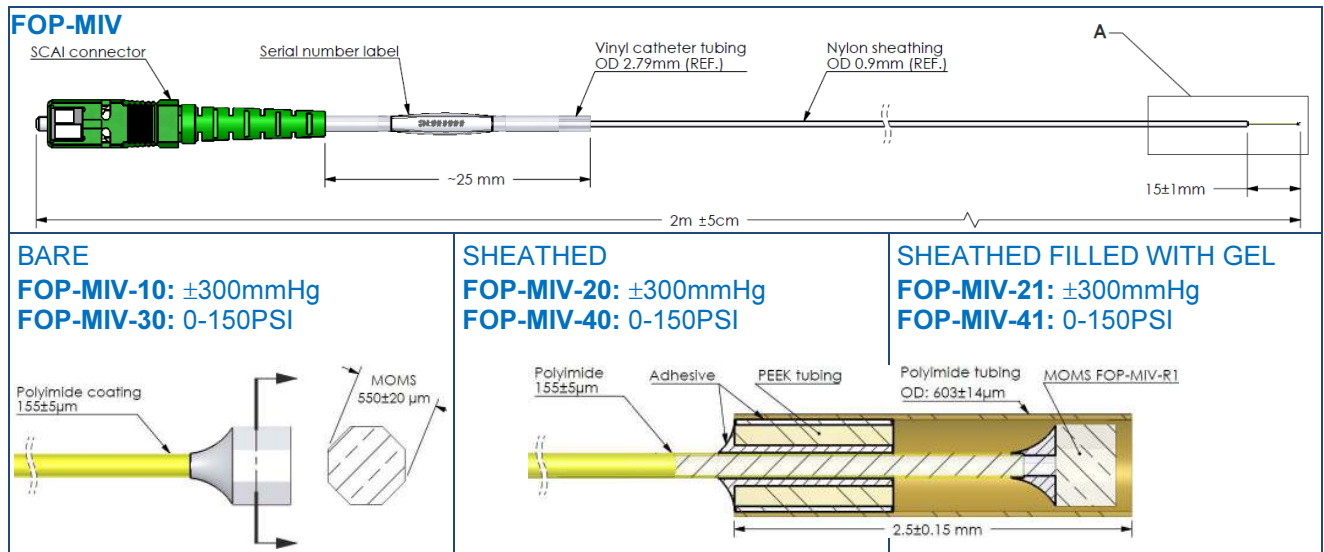


APPLICATION

- ▶ Cardiovascular: LV pressure, arterial BP
- ▶ Pharmacology: Drug and Fluid injection
- ▶ Neurosciences: Intracranial pressure
- ▶ Spine - Intradiscal pressure
- ▶ Bone - Intramedullary pressure
- ▶ Urology - Bladder/Ureter pressure
- ▶ MRI RFI Gating - Arterial blood pressure or LV pressure for image gating
- ▶ Respiratory / Pulmonology
- ▶ Otorhinolaryngology: Inner ear pressure
- ▶ Ophthalmology: Intraocular pressure
- ▶ Gastro intestinal



SPECIFICATIONS

Pressure Range ¹	-300mmHg to 300mmHg	-300mmHg to 7500mmHg
Resolution ²	<0.3mmHg	2.6mmHg
System Accuracy ³	±3mmHg	±50mmHg
Zero thermal effect ⁴	-0.4mmHg / °C	3 mmHg / °C
Proof pressure	>4000mmHg	>22 500mmHg
Cable Sheathing	Nylon Sheathing, OD: 0.9 mm	
Tip Termination	Bare / Sheathed / Sheathed with gel / Custom design	
Standard Sensor Length	2 Meters	
Connector	SCAI, SCAI is a SCA connector with smart chip communicating calibrating data to the signal reading module	

1. Relative to atmospheric pressure
 2. With a FPI-HS reading module and a filter of 30Hz applied.
 3. M260 sensor and FPI-HR module : includes reproducibility (sensor/module exchange), repeatability and hysteresis, non-linearity, scale error, offset error, conditioner temperature compensation error.
 4. Determined between 10°C and 70°C at atmospheric pressure (~760mmHg)

FPI-HR / FPI-HS module

MEDICAL

The FPI-HR and FPI-HS signal conditioner are designed for laboratories and OEM applications

Description

The FPI-HR and FPI-HS like all FPI-Modules are compatibles with **evolution** chassis and with the **evolution** software¹.

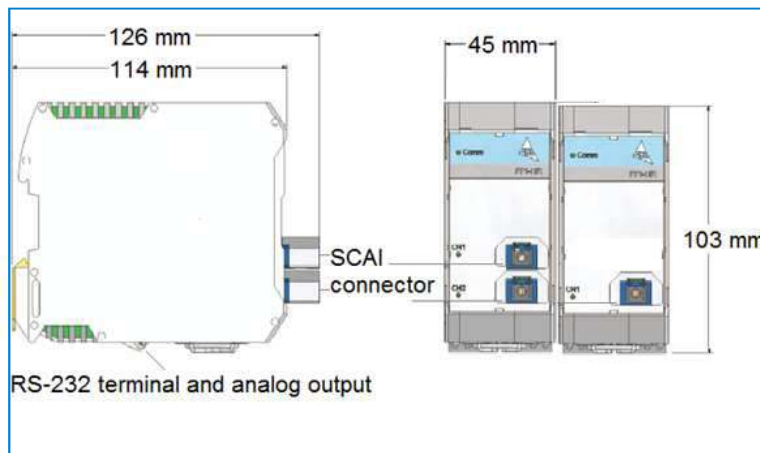
The FPI-HR is suitable for pressure measurements and for temperature measurement.

Compatible EVOLUTION chassis

- ▶ EVO-SD-2 (up to 2 modules)
- ▶ EVO-SD-5 (up to 5 modules)
- ▶ EVO-RM-8 (up to 8 modules)



Dimensions



Specifications

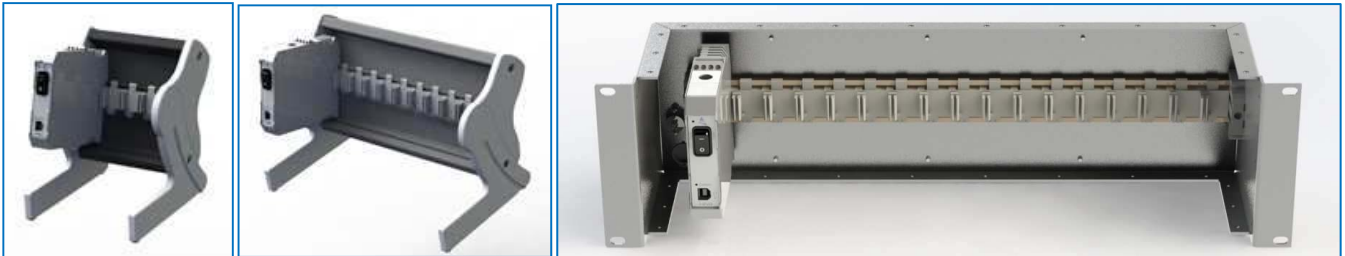
	FPI-HR	FPI-HS
Number of channel (s)	1 or 2	1
Resolution ²	<0.3mmHg	<0.1mmHg
Sampling rate up to	250Hz (1 channel) 125Hz (2 channels)	15kHz
Atmospheric self-compensation	No	Yes
Analog output	0 to 5V 16 bits resolution	
Analog output delay response ³	8ms (1 channel) 16ms (2 channels)	130μs
Power consumption	5 Watts	12 Watts
Power consumption	24VDC	
Operating temperature	10°C to 50°C	
Storage temperature	-30°C to 80°C	
Communication	USB via EVO chassis, TS 35 DIN RAIL	

1. The evolution software is included in the evolution chassis which is sold separately.
 2. Using a low pass filter of 30Hz.
 3. Delay between the physical phenomenon and the analog output change.

EVOLUTION chassis

MEDICAL

The **evolution** chassis are the easiest way to configure and use **evolution** modules.



Description

evolution chassis footprint, communication capabilities and speed make it the ideal tool for laboratory and in site test environments.

The **evolution** chassis can house different module types with different channel capabilities to combine results from a single acquisition source.

evolution chassis have a different number of module slots, depending on the model:

Module capacities, communication ports, and overall width specifications differ from one model to the other.

USB communication interface is available on all chassis.

The SD-2, SD-5 and RM **evolution** chassis package includes the following components:

- **evolution** chassis unit,
- **i-evo** module,
- Power supply adaptor and cord,
- USB interface cable,
- Module removal tool,
- User guide,
- CD containing software driver and manual (pdf).

Key Features

- i-evo module for communication and for power supply distribution
- USB communication
- Evolution software for sensors and module configuration and for data acquisition up to 5 k samples/sec. total.
- External data acquisition system required for higher acquisition rate > 5k samples/sec.
- Full bandwidth via analog output connectors

Applications

- Laboratory measurements with evolution modules
- Easy set-up of evolution modules before migrating modules in your own equipment

Specifications

Model	EVO-SD-2	EVO-SD-5	EVO-RM
Communication	USB	USB	USB
Data logging	Via computer	Via computer	Via computer
Number of modules	Up to 2	Up to 5	Up to 8
Power supply	24 VDC 70 W	24 VDC 70 W	24 VDC 150 W
Evolution software	Included	Included	Included
Maximum rate of acquisition ¹	5 k samples/sec. total	5 k samples/sec. total	5 k samples/sec. total
Dimensions	W:133 x H:177 x D:156mm	W:269 x H:177 x D:156mm	W:483 x H:132 x D:175mm

1. With the evolution software and chassis. Analog output is available directly on the reading modules, offering full acquisition rate. Ex. FPI-HS plugged on analog is at 15Ksamples/sec.

EVOLUTION system MEDICAL

EVOLUTION Software and Solution Summary

Configure and control the reading instrument

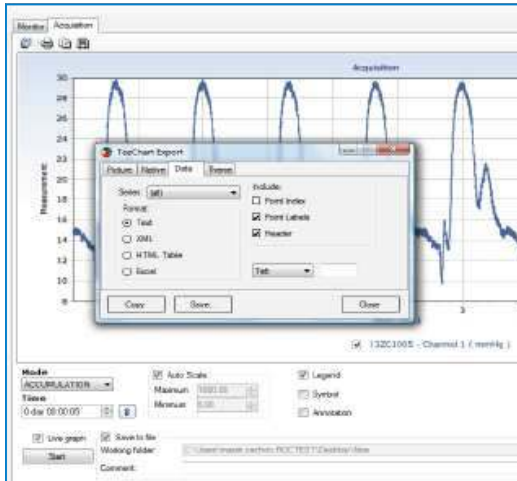
The most common set-up users will be configure the 0-5V analog output level to the pressure range of interest, but end user will also enjoy the visually confirm proper communication between catheters and instrument.

Simple monitoring and real-time graphing

Users may choose reading the actual measurement, or plot in real-time with user specified screen refresh rates.

Export data

While users may generally prefer to use 250Hz/125Hz analog output on the FPI-HR, data may also be recorded and saved in multiple files formats

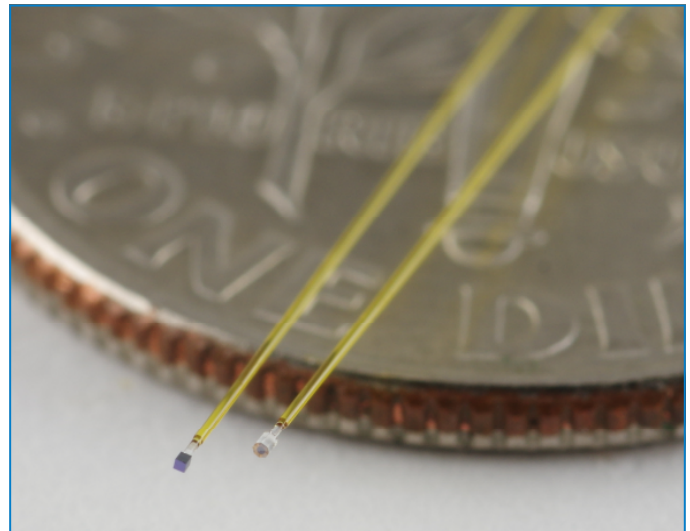


Other Accessories: Extensions cable

Be sure to purchase this 3 meter extension cable when a longer working distance is required, but also can be removed when working close to the subject.



THR-10 and a FOP-M260-10 on an US dime.



Products designed, manufactured and sold by FISO Technologies Inc. ("FISO"), or its authorized distributors, agents or resellers, are not and shall not be considered or represented as being medical instruments. Such products have not been approved or certified, nor submitted for approval or certification, by applicable regulatory bodies including, without limitation, the office of device evaluation of the U.S. Food and Drug Administration or the Therapeutic Products Directorate of Health Canada. Products purchased with the intent or for the purpose of being used as medical devices or components shall be done at purchaser's or user's own risk. FISO disclaims all liability with respect to any and all use of its products as medical devices or components, or in any medical application or procedure including, without limitation, in vitro or in vivo uses. FISO products are scientific instruments whose misuse is potentially dangerous. They are intended to be installed and used only by qualified personnel. FISO's liability to purchaser for claims related to the purchase, transportation, installation or use of its products shall be limited to the aggregate value of the purchase price of the products as stated in FISO's invoice to purchaser. In no event shall FISO be liable for any direct, indirect, punitive, special, incidental, or consequential damages in connection with or related to the purchase, transportation, installation or use of its products (including loss of profits, use, or other economic advantage), however arising, whether for breach of warranty or in tort, even if FISO has been previously advised of the intended use of its products or of the possibility of such damage.