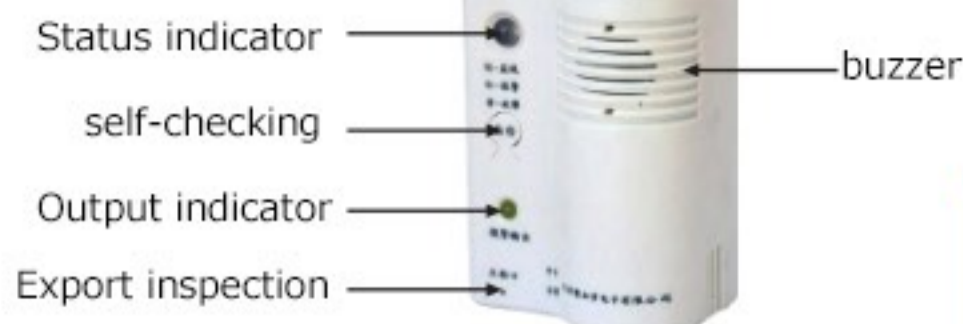


Each department name

- green - Monitor
- red - Warning
- yellow - fault



Model description and object gas

BJ - 92 - 1A/1C

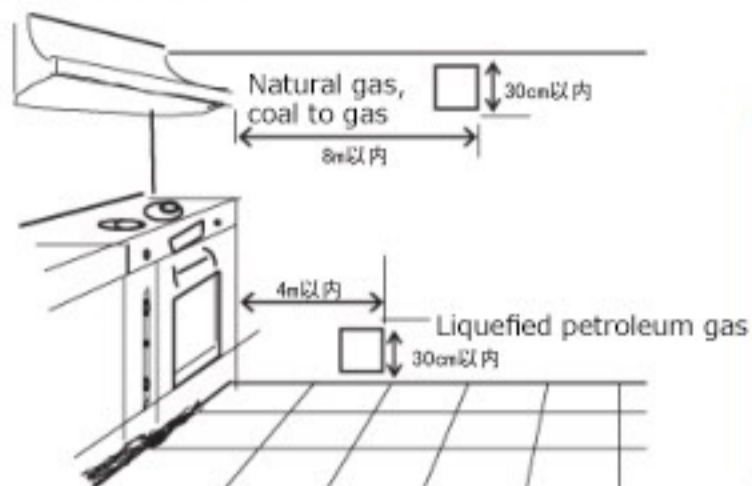
Detection of gas type:
1A natural gas, liquefied gas
1C artificial coal gas production

Product Number

Independent type combustible gas detector

⚠ attention Detection of different gas detectors is not universal. (the different cities of the coal gas composition is different, so the different city coal gas detector is not universal)

mounting position

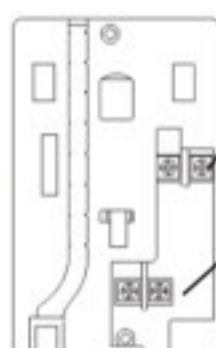
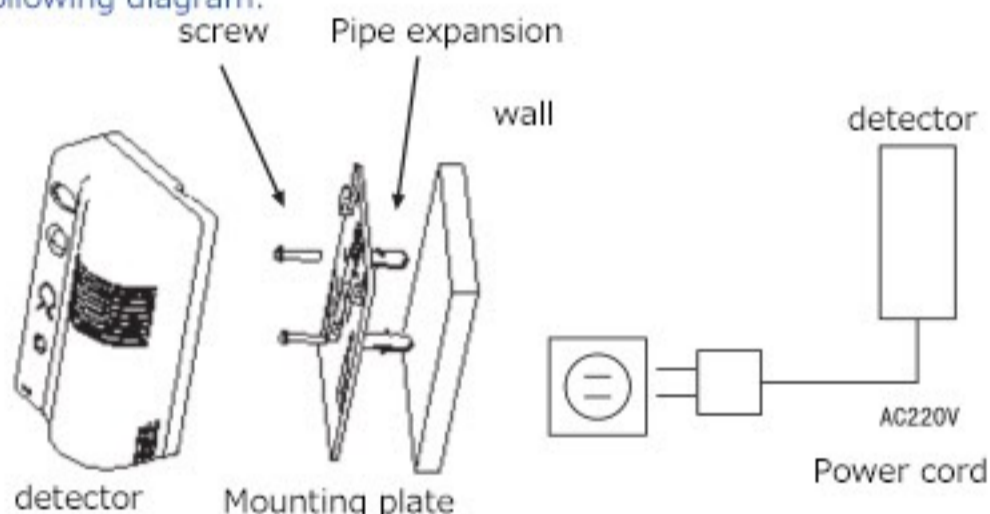


⚠ warning

- It must be installed in the gas leakage may occur in the room. Other room gas leakage may not alarm.
- this is not the detector shall be installed in the bathroom, the bathroom, there is risk of leakage.

Wiring and installation method

- ① Confirm the installation location (the material strength of the wall and the position of the AC220V)
- ② The mounting plate is fixed on the wall through the up tube and the screw.
- ③ After the installation of the hanging plate is fixed on the wall, the power supply line and the output line are connected according to the following diagram.



Terminal output 1:
Connecting DC12V pulse valve.
(inside negative positive)

Terminal output 2:
① AC220V output.
② AC220V pulse (0.5S) output.
③ Relay contact output (capacity: AC220V, 3A).

Note: the above three kinds of output in the form of either.

⚠ attention

- Connection must be confirmed.
- The wiring polarity, and other types of discrimination, please.
 - The connection is necessary in the case of power failure.
 - The installation will not fall detector. The installation when not injured.

usage method

When the detector is connected to the power supply, it will have the following action:

- ① Power supply: on the power supply, the buzzer intermittent ring 3, the green light.
- ② Monitoring: about 2 minutes later, the green light continues to light, the probe into the normal monitoring state
- ③ Self test: press the self test key, the red, green light flashes 5 times, the buzzer made intermittent sound.
- ④ Alarm (4): environmental gas leakage and alarm concentration to that red light and intermittent buzzer rang, delay (about 20 seconds) with output.
- ⑤ The fault detector in case of failure: internal detection module, the yellow lights, buzzer ringing. With relay contact output, the output point is completely disconnected (can be used for fault diagnosis of the controller).
- ⑥ The environment of gas recovery: after the disappearance of the red light, stop the alarm sound, no output, monitor the status of recovery. With pulse output function, the appliance should be closed under the condition of manual reset valve, yellow lights.
- ⑦ The disconnection with pulse output function, if the alarm and cut-off valve is light yellow line disconnection.

Inspection method



- ① In the normal monitoring state, the gas detector will be detected by the gas detector, when the alarm concentration is reached, the alarm action is normal. If the concentration of gas inspection is too large, the detector and controller connected with the fault will be reported, also belong to the normal situation.
- ② Second, during the normal use, to do a check on the detector every month. Daily inspection with visual method to confirm the green light can be lit.
- ③ When the gas is detected with a silent light alarm, please contact the agency.