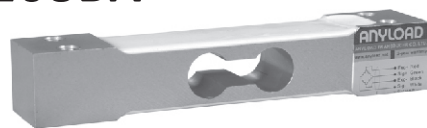
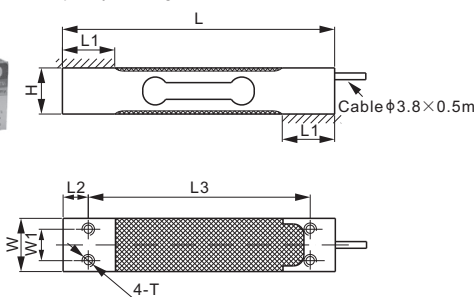


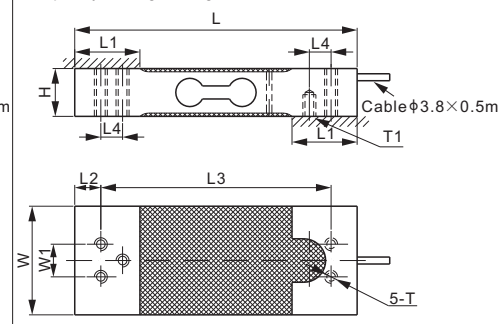
# Aluminum 108BA



Capacity: 3-75kg



Capacity: 100kg; 150kg



## DIMENSIONS

RATED CAPACITY	H	L	L1	L2	L3	L4	W	W1	T	T1
<b>kg/mm</b>										
3-30	22.0	130.0	25.0	12.0	106.0	-	25.4	15.0	M6	-
35	22.0	130.0	25.0	12.0	106.0	-	30.0	15.0	M6	-
40	22.0	130.0	25.0	12.0	106.0	-	38.5	15.0	M6	-
50; 60; 75	22.0	130.0	30.0	12.0	106.0	-	38.5	15.0	M6	-
100; 150	22.0	130.0	30.0	12.0	106.0	10.0	50.0	15.0	M6	M6 Depth10
<b>lb/inches</b> (conversion of above dimensions)										
6.61-66.14	0.87	5.12	0.98	0.47	4.17	-	1.00	0.59	M6	-
77.16	0.87	5.12	0.98	0.47	4.17	-	1.18	0.59	M6	-
88.18	0.87	5.12	0.98	0.47	4.17	-	1.52	0.59	M6	-
110.23; 132.28; 165.35	0.87	5.12	1.18	0.47	4.17	-	1.52	0.59	M6	-
220.46; 330.69	0.87	5.12	1.18	0.47	4.17	0.39	1.97	0.59	M6	M6 Depth0.39

## SPECIFICATIONS

<b>Full Scale Output</b>	2.0 mV/V ± 10%	<b>Recommended Excitation</b>	10V (15V Maximum)
<b>Zero Balance</b>	± 0.02 mV/V	<b>Reference Max. Platform Size</b>	400×400 mm
<b>Non-linearity</b>	< ± 0.017%	<b>Insulation Resistance</b>	>2 [ 50V DC ] GΩ
<b>Repeatability</b>	< ± 0.017%	<b>Nominal Temperature Range</b>	-10°C to 40°C / 14°F to 104°F
<b>Hysteresis Error</b>	< ± 0.017%	<b>Safe Overload</b>	150% of full scale
<b>Creep in 30 min.</b>	< ± 0.023%	<b>Breaking Overload</b>	300% of full scale
<b>Input Resistance</b>	415Ω ± 15	<b>Seal Type / IP Rating</b>	Environmentally Sealed / IP66
<b>Output Resistance</b>	350Ω ± 3	<b>Cable Color Code</b>	Exc+ Red      Exc- Black Sig+ Green    Sig- White    Shield Bare
<b>Element Material</b>	Aluminum		

## PART NUMBER

Rated Capacity	Part No.	Shipping Weight (kg) Approx.
3kg	108BA-3kg	0.2
6kg	108BA-6kg	0.2
7kg	108BA-7kg	0.2
10kg	108BA-10kg	0.2
15kg	108BA-15kg	0.2
20kg	108BA-20kg	0.2
30kg	108BA-30kg	0.2
35kg	108BA-35kg	0.2
40kg (W=38.5mm)	108BA-40kg	0.2
40kg (W=30mm)	108BA-W1-40kg	0.2
50kg	108BA-50kg	0.26
60kg	108BA-60kg	0.26
75kg	108BA-75kg	0.26
100kg	108BA-100kg	0.35
150kg	108BA-150kg	0.35

## INTERCHANGEABLE PRODUCTS

Manufacturer	Model
Coti Global	CG-22
Mettler-Toledo	MT1022
HBM	PW6C*
HBM	PW6K
Rice Lake	RL1521A
Vishay Celtron	LPS ME 6-35kg
Vishay TedeA-Huntleigh	1022

\* Full scale output of PW6C: 2.2 ± 0.2% mV/V

## AVAILABLE OPTIONS

- 1m cable



NTEP 1:5 000 Class III, Single Cell



6kg-40kg: OIML MAA C4, Y=15 000;

50kg-150kg: OIML MAA C5, Y=12 300

SINGLE POINTS